

STICK TO CARD THEN CUT AROUND OUTER PROFILE

LOCATE WHEEL SPIGOT IN WHEEL AND ROTATE, ENSURE THAT THERE IS A MINIMUM OF 3mm CLEARANCE ON ALL EDGES

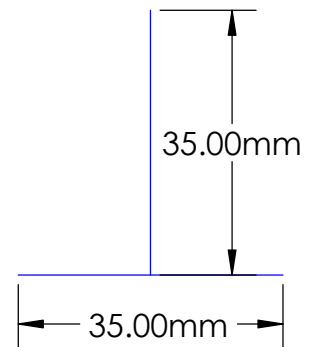
CALIPER

FLOATING HUB

Ø 330.00mm X 28.00mm  
BRAKE DISK

56.10mm Ø  
WHEEL SPIGOT

CHECK REF DIMS TO ENSURE THAT THE DRAWING HAS PRINTED TO CORRECT SCALE



**REF DIMS**

TPL008 - 330 BBK - MINI COOPER S (52)

EBC Technical:KITS@EBCBRAKES.COM