

STICK TO CARD THEN CUT AROUND OUTER PROFILE

LOCATE WHEEL SPIGOT IN WHEEL AND ROTATE, ENSURE THERE IS A MINIMUM OF 3mm CLEARANCE ON ALL EDGES

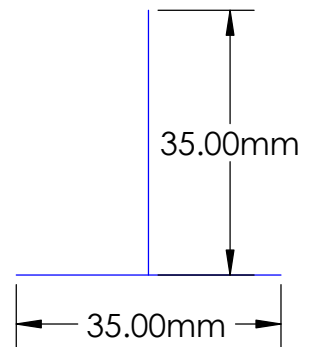
CALIPER

FLOATING HUB

Ø 330.00mm X 28.00mm
BRAKE DISK

63.40mm Ø
WHEEL SPIGOT

CHECK REF DIMS TO ENSURE THAT THE DRAWING HAS PRINTED TO CORRECT SCALE



REF DIMS

TPL027 - 330 BBK - FORD FOCUS ST (MK2)

EBC Technical:KITS@EBCBRAKES.COM