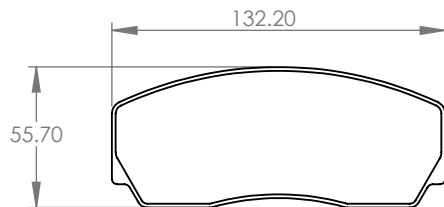
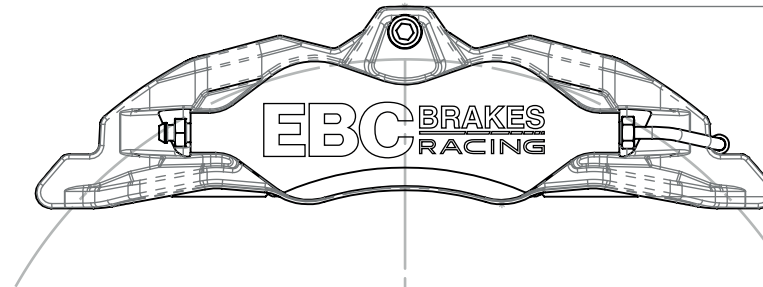
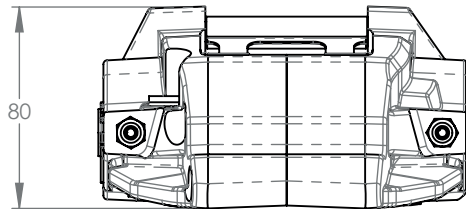
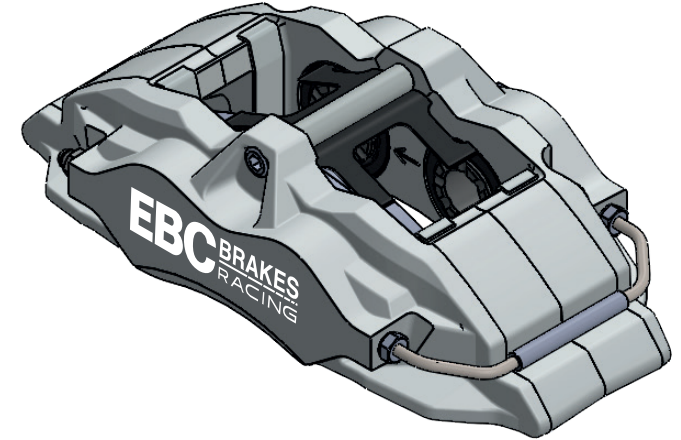
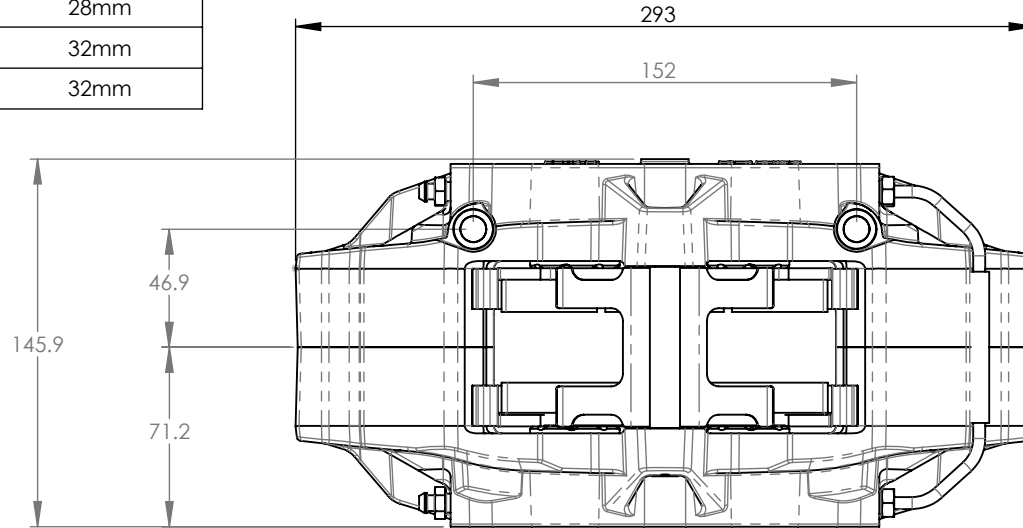


CALIPER NUMBER	AXLE POSITION	MAX ROTOR THICKNESS
BC4101	LEADING	28mm
BC4102	TRAILING	28mm
BC4103	LEADING	32mm
BC4104	TRAILING	32mm

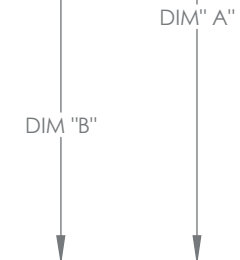
ALL DIMENSIONS IN MILLIMETRES

REMOVE ALL BURRS AND SHARP EDGES

DO NOT SCALE DRAWING



ROTOR DIA	DIM "A"	DIM "B"
300mm	171mm	95.5mm
330mm	186mm	110.5mm
355mm	199mm	123.5mm



DP002 - 49mm PAD TRACK
 DP031 - 45mm REDUCED PAD TRACK



Freeman Automotive (UK) LTD
EBC BRAKES WORLD HEADQUARTERS
 Upton Valley Way East,
 Pineham. Northampton NN4 9EF

TITLE:
 Apollo-4 (100 Series)
 Customer Reference
 Drawing



A4

THIS DRAWING IS PROTECTED BY COPYRIGHT AND IS PROVIDED FOR REFERENCE PURPOSES ONLY. IT MUST NOT BE COPIED, PRINTED OR USED FOR ANY PURPOSES OTHER THAN THAT AGREED WITH FREEMAN AUTOMOTIVE UK LTD.