

**STICK TO CARD THEN  
CUT AROUND OUTER  
PROFILE**

**LOCATE WHEEL  
SPIGOT IN WHEEL  
AND ROTATE,  
ENSURE THAT THERE  
IS A MINIMUM OF  
3mm CLEARANCE  
ON ALL EDGES**

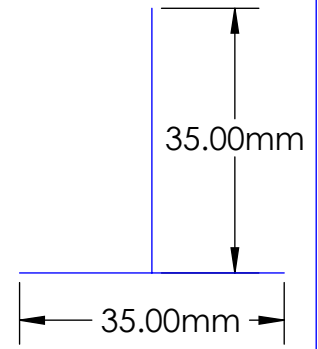
CALIPER

FLOATING HUB

$\phi 355.00\text{mm}$  X  $32.00\text{mm}$   
BRAKE DISC

$66.60\text{mm}$   $\phi$   
WHEEL SPIGOT

**CHECK REF DIMS  
TO ENSURE THAT  
THE DRAWING HAS  
PRINTED TO  
CORRECT SCALE**



**REF DIMS**

**TPL034 - 355 BBK - MINI COOPER S (F56)**

EBC Technical:KITS@EBCBRAKES.COM